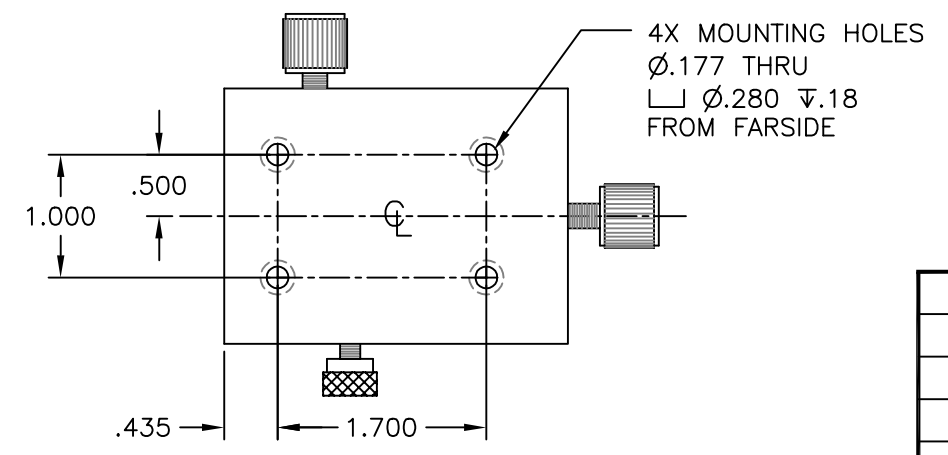
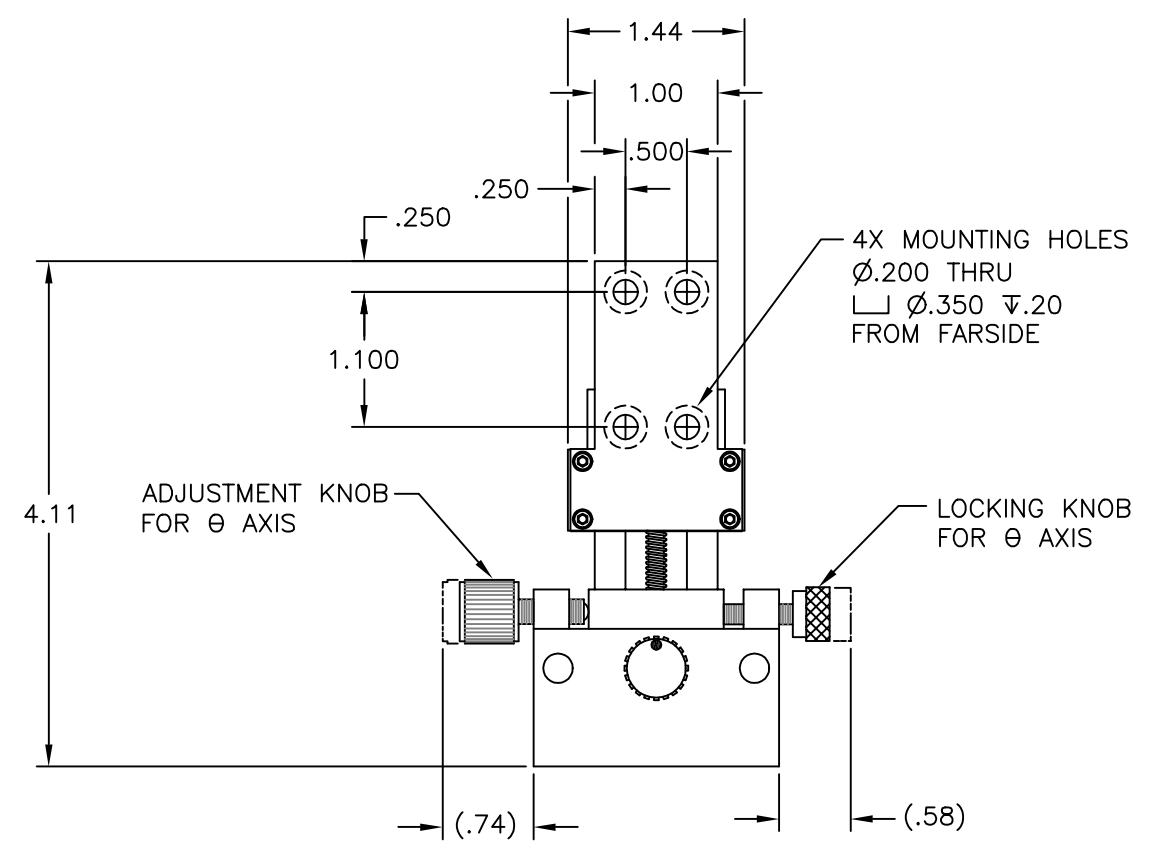
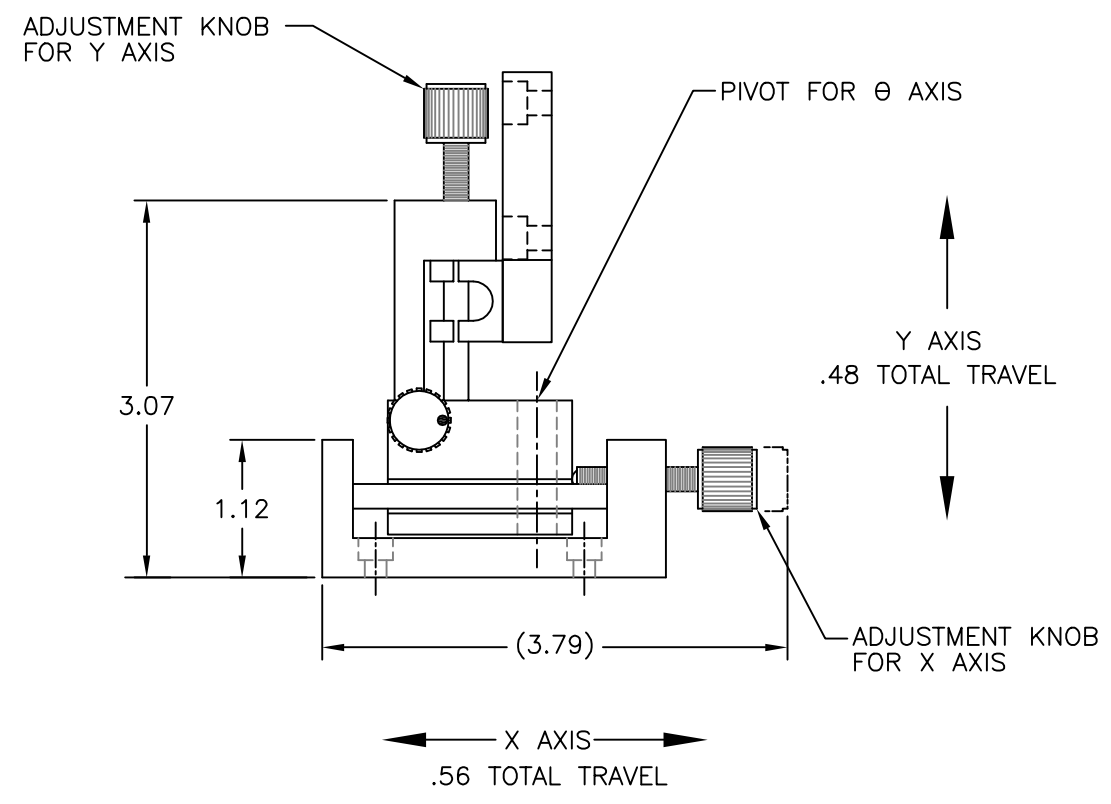
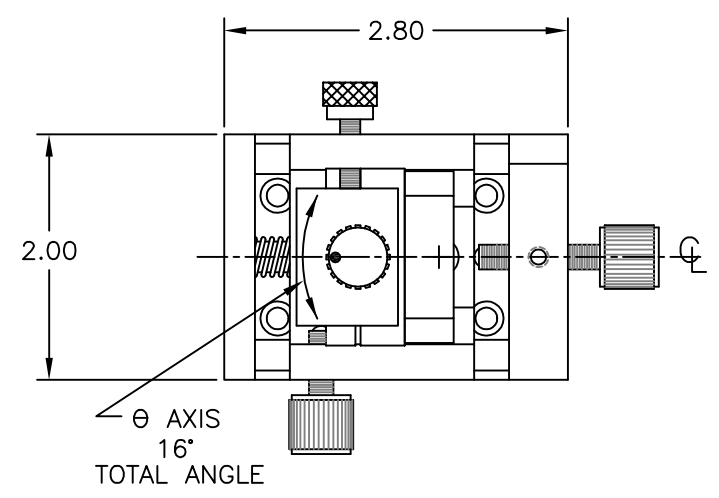


REVISIONS				
ZONE	REV.	DESCRIPTION	CHNG / DATE	APVD / DATE



MATERIAL		UNLESS OTHERWISE SPECIFIED DIMENSIONS ARE IN INCHES. DIMENSIONS AND VALUES IN BRACKETS ARE METRIC. TOLERANCES ARE: DECIMALS: INCHES MILLIMETERS .XX ±.01 [±.25] .XXX ±.005 [±.127] ANGLES: ±.5° SURFACE ROUGHNESS: 63 REMOVE ALL BURRS AND SHARP EDGES. DIM. AND SURFACE ROUGHNESS APPLY AFTER COATING.	APPROVALS	DATE	 4005 OPPORTUNITY DRIVE MELBOURNE, FL 32934 (321) 242-7818 FAX: (321) 242-1019	
FINISH			DRAWN BY: R. SAUNDERS	5/14/08	TITLE OUTLINE, 71006	
NEXT ASSY		USED ON	CHECKED BY:	ENGINEERING: WS	5/14/08	SIZE D
APPLICATION		DO NOT SCALE DRAWING	APPROVED: CMC	5/14/08	SCALE NONE	DWG NO. 53D4831
				FILE 53D4831	SHEET 1 OF 1	REV.