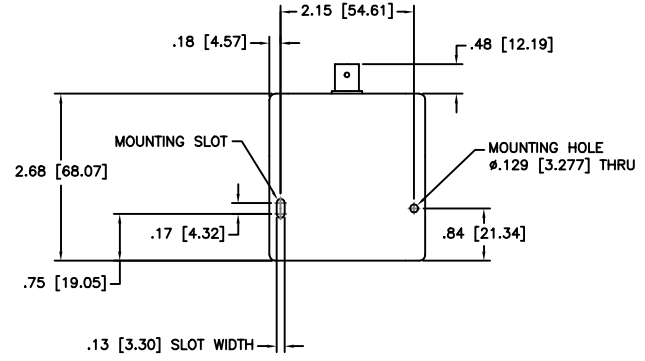
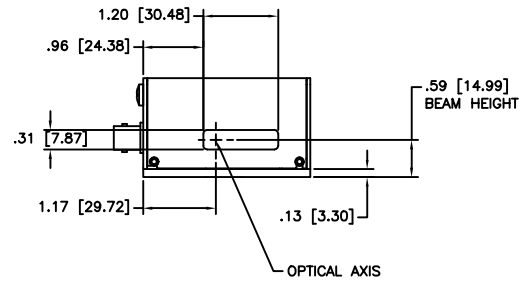
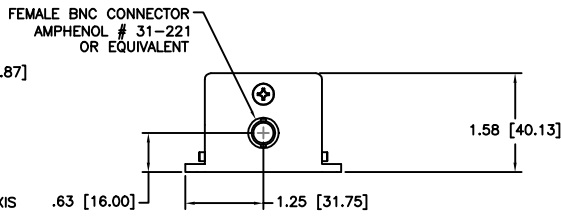
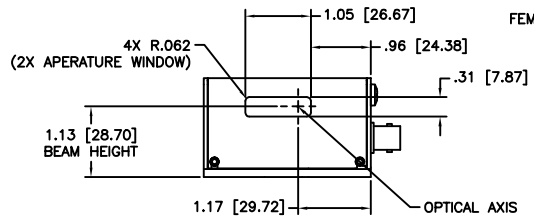
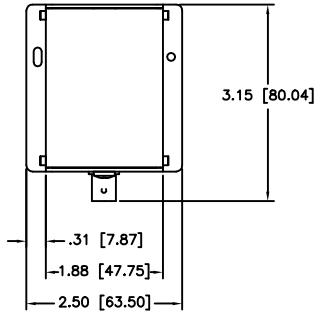


NOTES: UNLESS OTHERWISE SPECIFIED
 1. DRAWING PREPARED IN ACCORDANCE WITH MIL-STD-100.
 2. INTERPRET 3RD ANGLE PROJECTION.
 3. DIMENSIONING AND SYMBOLS PER ASME Y14.5M-1994.

REVISIONS					
ZONE	REV.	DESCRIPTION	CHNG / DATE	APVD / DATE	



		MATERIAL	UNLESS OTHERWISE SPECIFIED DIMENSIONS ARE IN INCHES. DIMENSIONS AND VALUES IN BRACKETS ARE METRIC. TOLERANCES ARE: DECIMALS: INCHES MILLIMETERS .XX ±.01 [±.25] .XXX ±.005 [±.127] ANGLES: ±.5° SURFACE ROUGHNESS: 63/ REMOVE ALL BURRS AND SHARP EDGES. OIL AND SURFACE ROUGHNESS APPLY AFTER COATING.	APPROVALS	DATE	NEOS TECHNOLOGIES <small>A Brown & Hoisinger Company</small> 4005 OPPORTUNITY DRIVE MELBOURNE, FL 32934 (321) 242-7818 FAX: (321) 242-1019
		FINISH		DRAWN BY: R. SAUNDERS	3/16/06	
NEXT ASSY		USED ON		CHECKED BY: 		OUTLINE DRAWING 35110-X-XXX-BR
APPLICATION		DO NOT SCALE DRAWING		ENGINEERING: HH	3/16/06	SIZE D DWG NO. 53D3926
			APPROVED: CMC	3/16/06	SCALE NONE FILE 53D3926	
					SHEET	1 OF 1