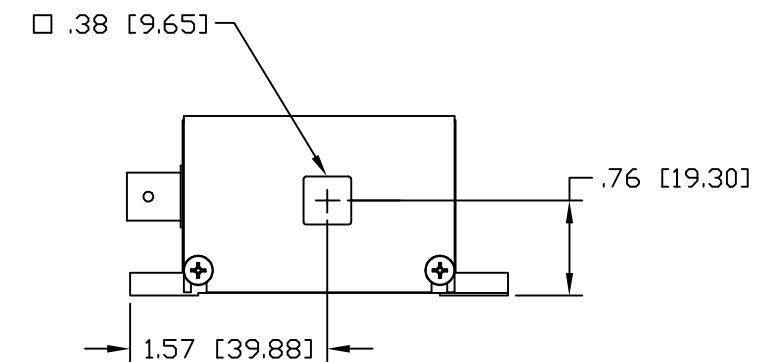
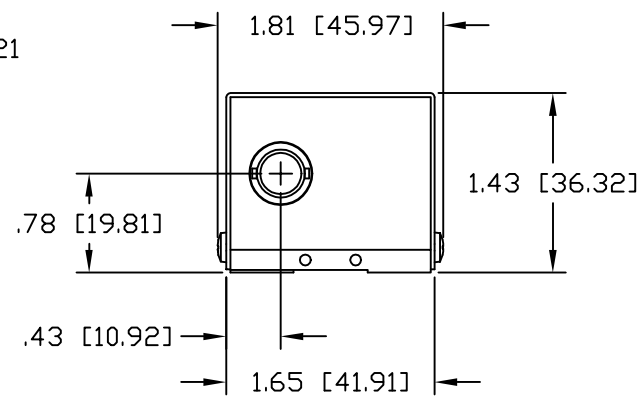
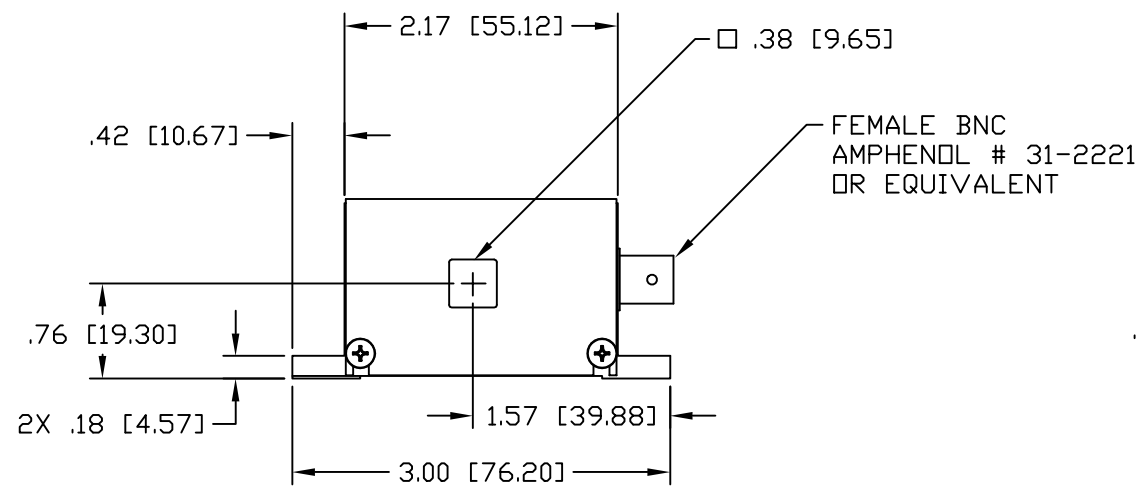
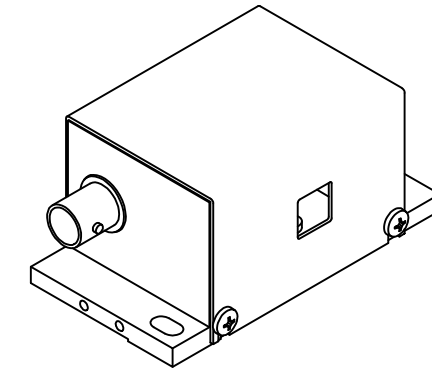
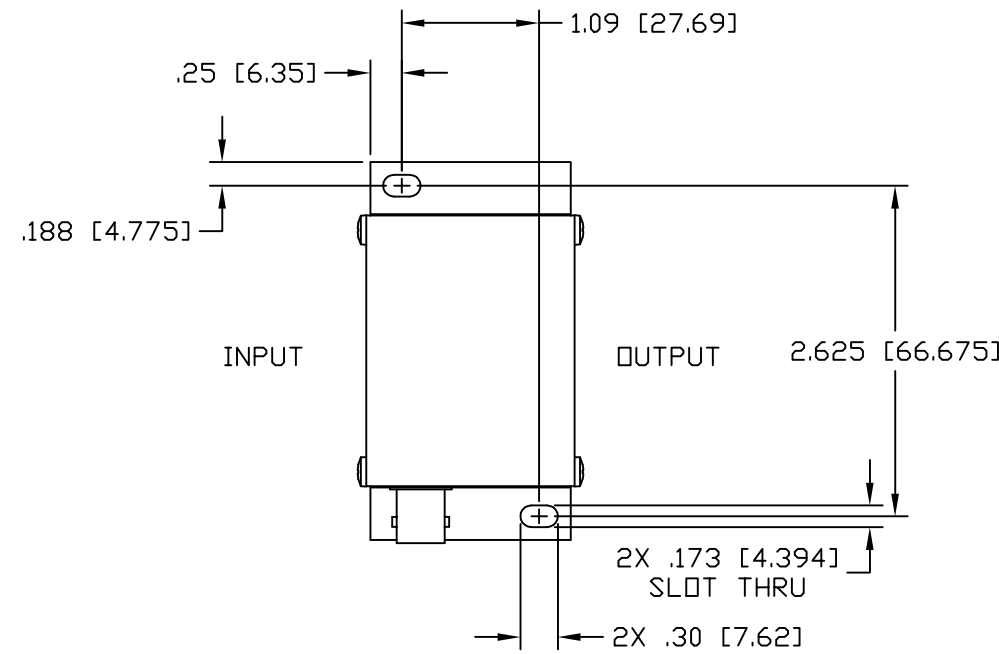



REVISIONS				
ZONE	REV.	DESCRIPTION	CHNG / DATE	APVD / DATE
	A	CHANGE PER ECO 58A15195	RS 3/25/03	



		MATERIAL	UNLESS OTHERWISE SPECIFIED DIMENSIONS ARE IN INCHES. DIMENSIONS AND VALUES IN BRACKETS ARE METRIC. TOLERANCES ARE: DECIMALS: INCHES MILIMETERS .XX ±.01 [±.25] .XXX ±.005 [±.127] ANGLES: ±.5° SURFACE ROUGHNESS: 63/ REMOVE ALL BURRS AND SHARP EDGES. DIM. AND SURFACE ROUGHNESS APPLY AFTER COATING.	APPROVALS	DATE	 4300-C FORTUNE PLACE MELBOURNE, FL 32904 (321)676-9020 FAX: (321)722-4499	
		FINISH		DRAWN BY: C. RIVENES	7/24/02		TITLE OUTLINE DRAWING, 26035-2-1.5-LTD
NEXT ASSY	USED ON			CHECKED BY: HH	8/14/02	SIZE D	DWG NO. 53D2200
APPLICATION		DO NOT SCALE DRAWING		ENGINEERING: WS	8/14/02	SCALE NONE	REV. A
			APPROVED: PS	8/14/02	FILE 53D2200A	SHEET 1 OF 1	