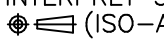
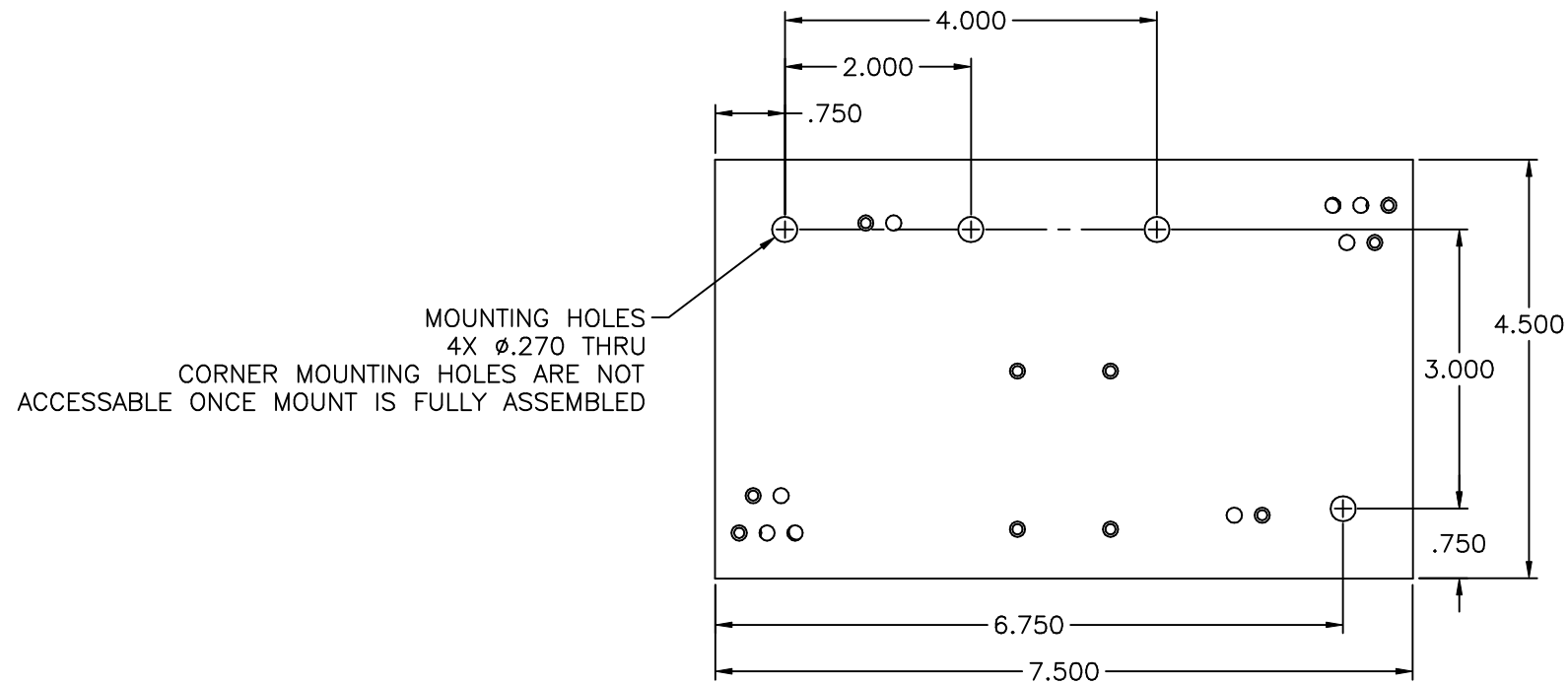
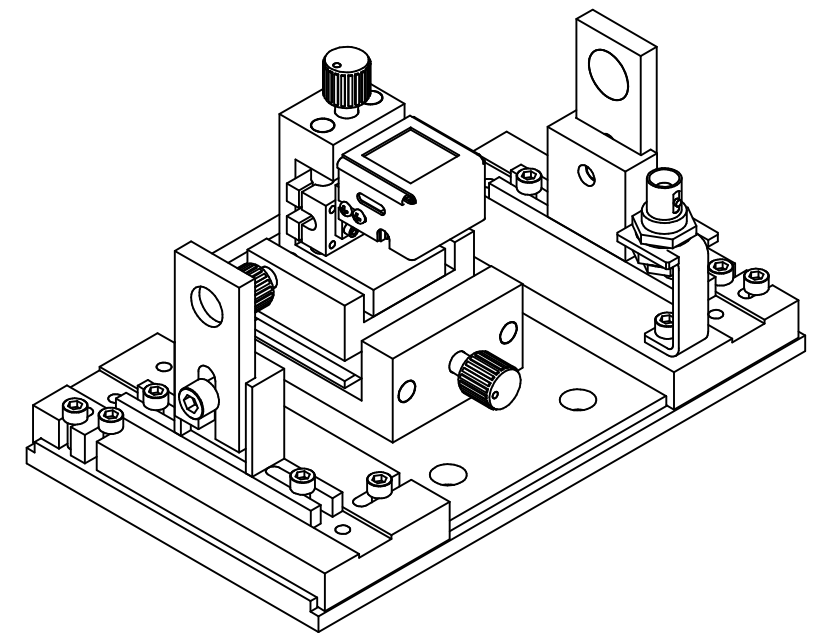
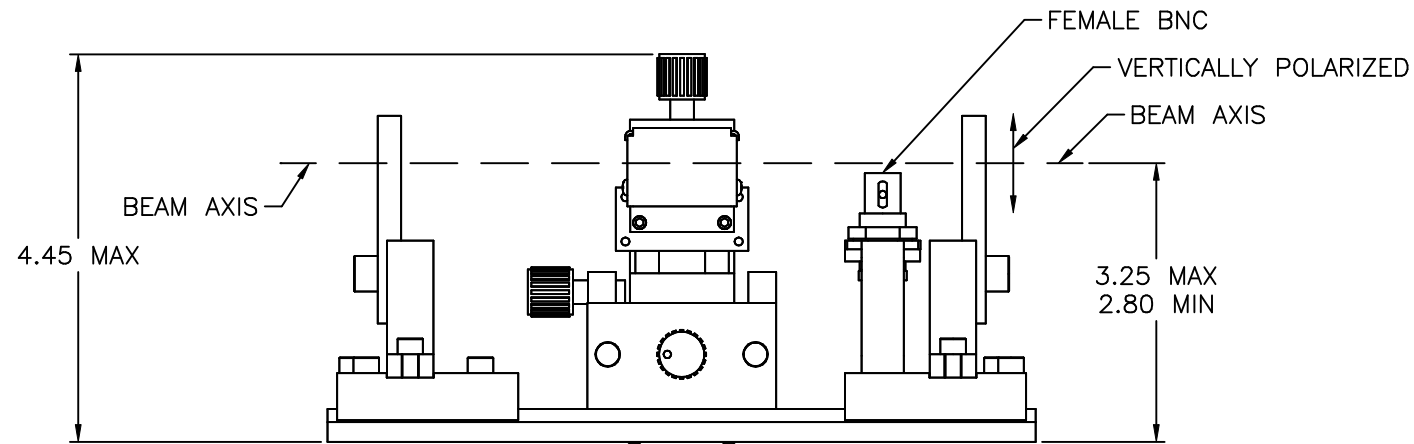
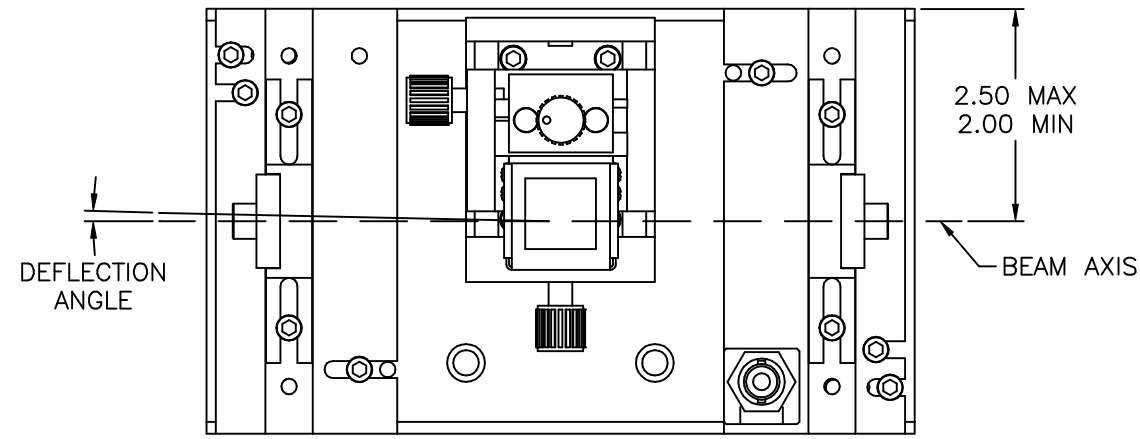



- NOTES: UNLESS OTHERWISE SPECIFIED
1. DRAWING PREPARED IN ACCORDANCE WITH MIL-STD-100.
 2. INTERPRET 3RD ANGLE PROJECTION.
 (ISO-A).
 3. DIMENSIONING AND SYMBOLS PER ASME Y14.5M-1994.

REVISIONS				
ZONE	REV.	DESCRIPTION	CHNG / DATE	APVD / DATE
	B	CHANGE PER ECO 58A15381	FC 5/22/03	PS 5/23/03



		MATERIAL	UNLESS OTHERWISE SPECIFIED DIMENSIONS ARE IN INCHES. DIMENSIONS AND VALUES IN BRACKETS ARE METRIC. TOLERANCES ARE: DECIMALS: INCHES MILIMETERS .XX \pm .01 [\pm .25] .XXX \pm .005 [\pm .127] ANGLES: \pm .5' SURFACE ROUGHNESS: <input checked="" type="checkbox"/> REMOVE ALL BURRS AND SHARP EDGES. DIM. AND SURFACE ROUGHNESS APPLY AFTER COATING.
		FINISH	
NEXT ASSY	USED ON		
APPLICATION		DO NOT SCALE DRAWING	

APPROVALS	DATE
DRAWN BY: P. SHANNONHOUSE	9/6/86
CHECKED BY:	
ENGINEERING:	
APPROVED:	

 4300-C FORTUNE PLACE MELBOURNE, FL 32904 (321)676-9020 FAX: (321)722-4499	
TITLE OUTLINE, 15000-FOA/71002	
SIZE D	DWG NO. 53D00314
SCALE 1/1	FILE 53D00314B
	REV. B
	SHEET 1 OF 1