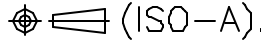
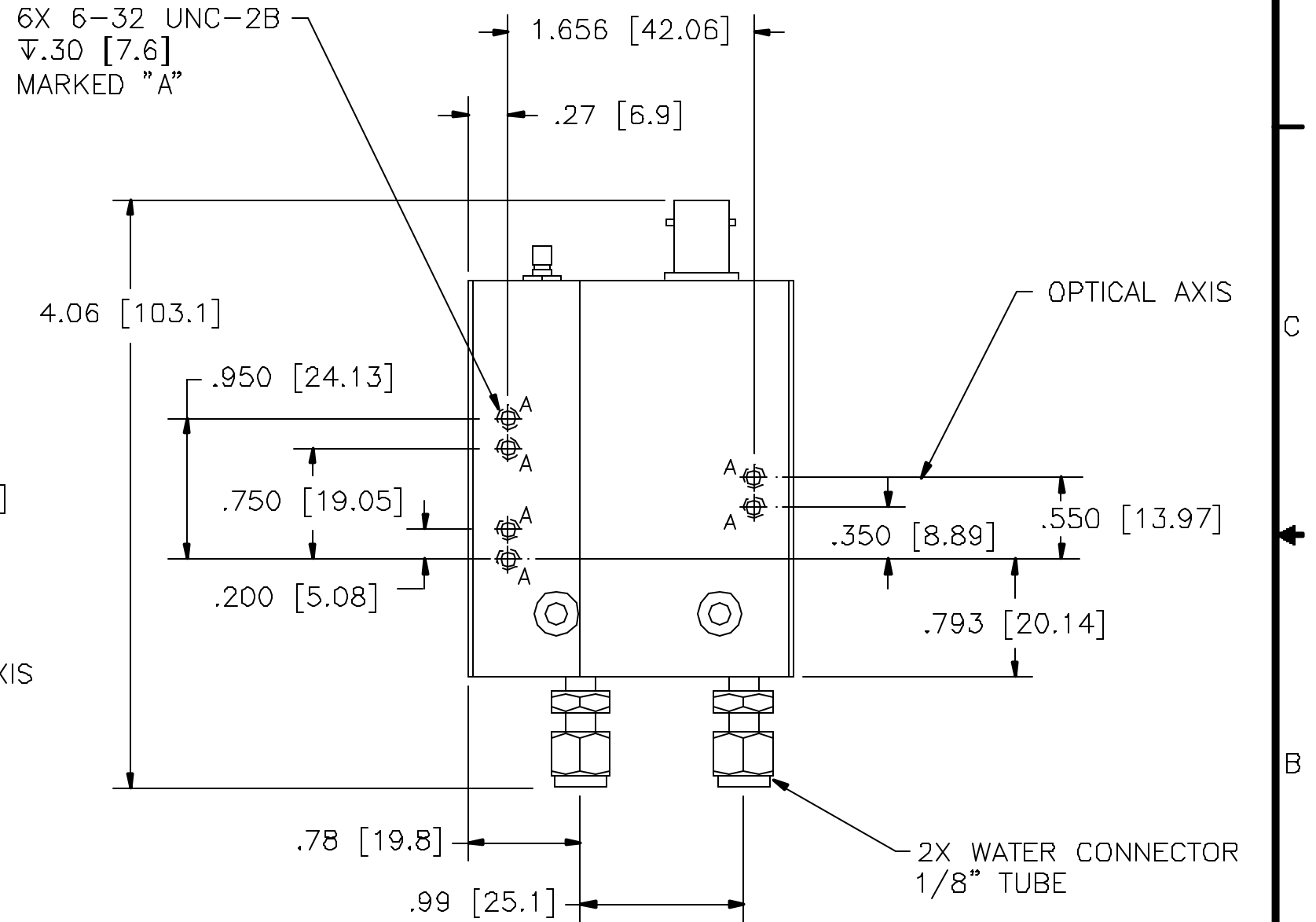
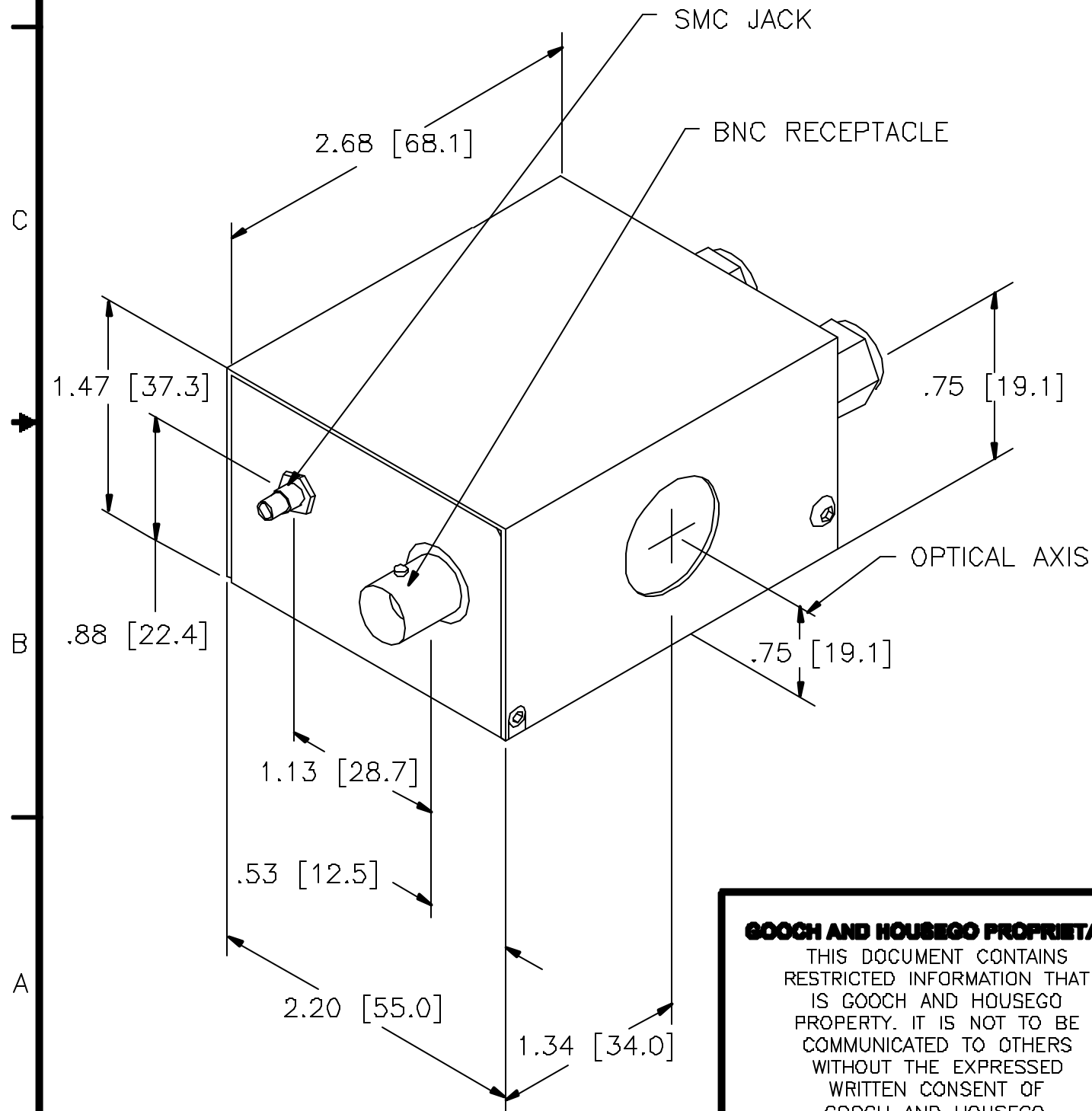


- NOTES: UNLESS OTHERWISE SPECIFIED
1. DRAWING PREPARED IN ACCORDANCE WITH MIL-STD-100.
  2. INTERPRET 3RD ANGLE PROJECTION.  
 (ISO-A).
  3. DIMENSIONING AND SYMBOLS PER ASME Y14.5M-1994.

REVISIONS				
ZONE	REV.	DESCRIPTION	CHNG / DATE	APVD / DATE
	B	CHANGE PER ECO 58A20778	RS 3/8/10	PS 3/9/10



**GOOCH AND HOUSEGO PROPRIETARY**

THIS DOCUMENT CONTAINS RESTRICTED INFORMATION THAT IS GOOCH AND HOUSEGO PROPERTY. IT IS NOT TO BE COMMUNICATED TO OTHERS WITHOUT THE EXPRESSED WRITTEN CONSENT OF GOOCH AND HOUSEGO.

DIMENSIONING AS FOLLOWS:  
 INCHES [MILLIMETERS]  
 UNLESS OTHERWISE SPECIFIED TOLERANCES ARE:  
 INCHES  
 .XX ±.02  
 .XXX ±.005  
 MILLIMETERS  
 .X [±.5]  
 .XX [±.13]  
 ANGLES: ±

APPROVALS	DATE
DRAWN BY: F. COLLETT	5/3/97
CHECKED BY: P.S / A.A	
ENGINEERING:	5/3/97
APPROVED: E.Y.	5/3/97

**Gooch & Housego** 4005 OPPORTUNITY DRIVE  
 MELBOURNE, FL 32934  
 (321) 242-7818  
 FAX: (321) 242-1019

TITLE: 330XX-HGM-W

SIZE: B	DWG NO.: 53B1059	REV.: B
SCALE: NONE	FILE: 53B1059B	SHEET: 1 OF 1