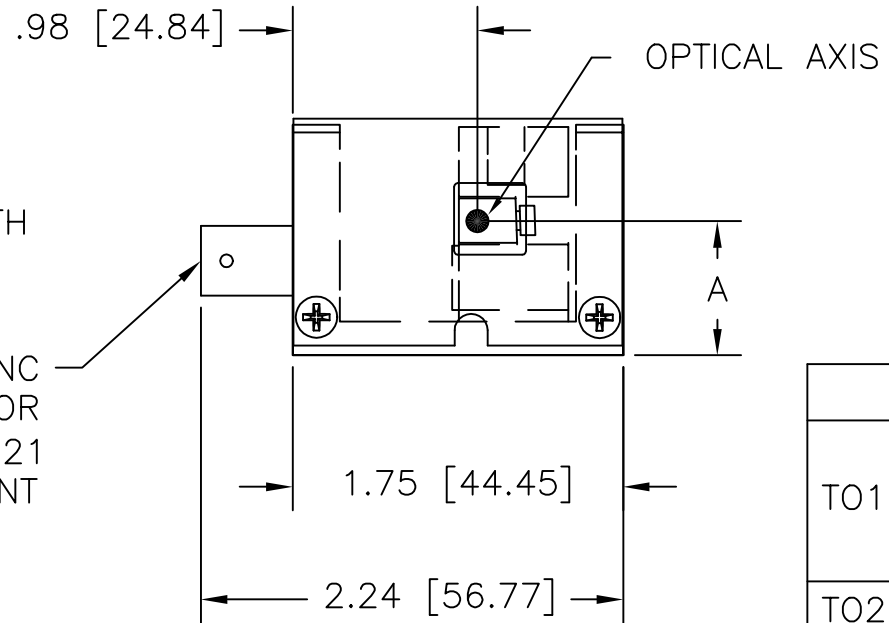
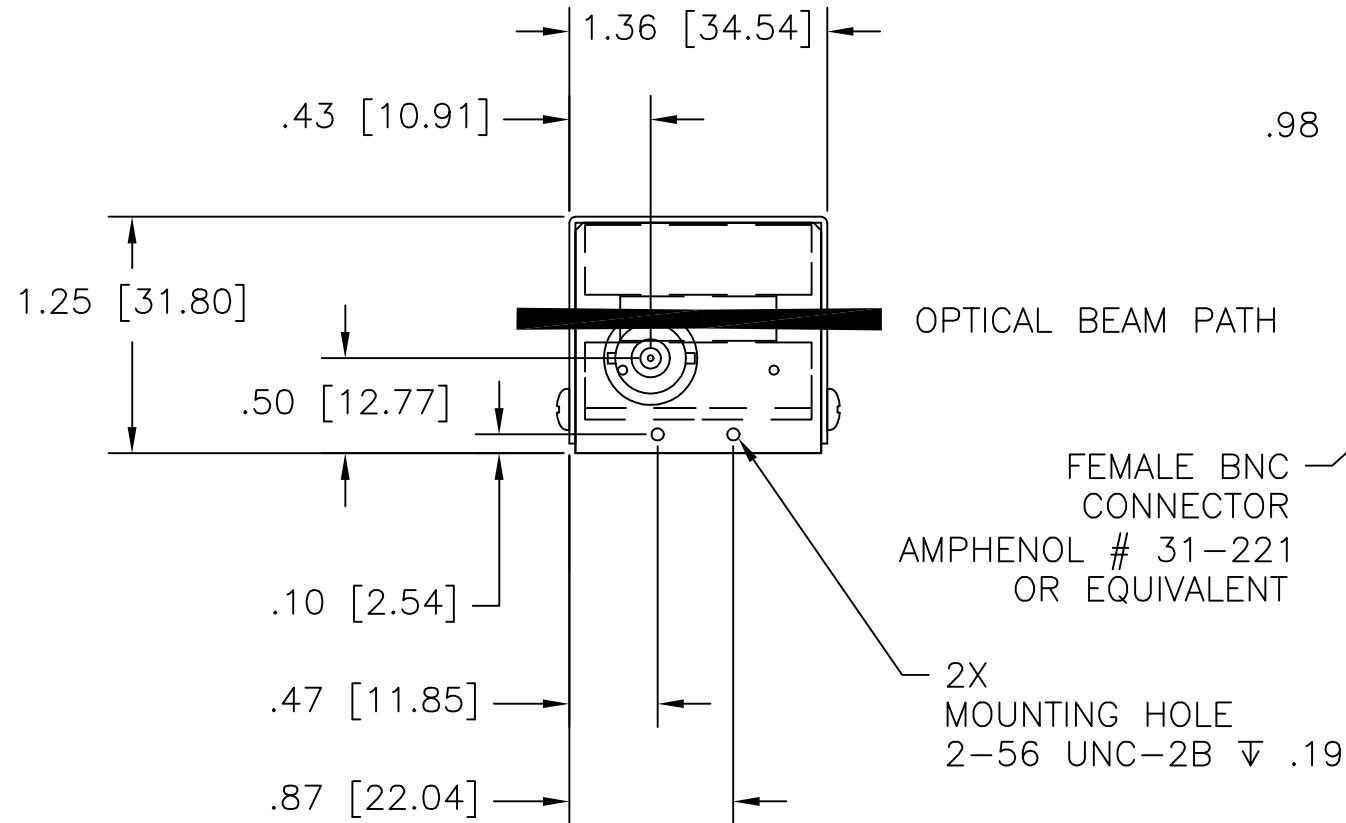
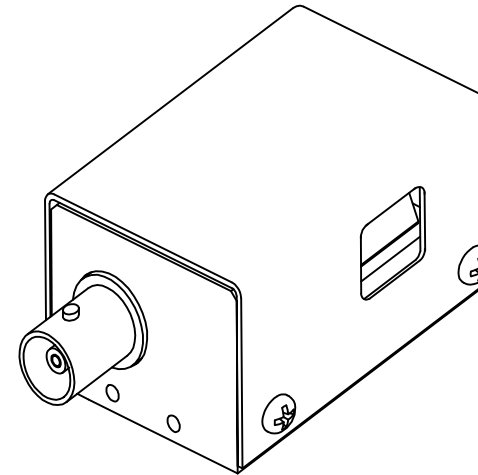
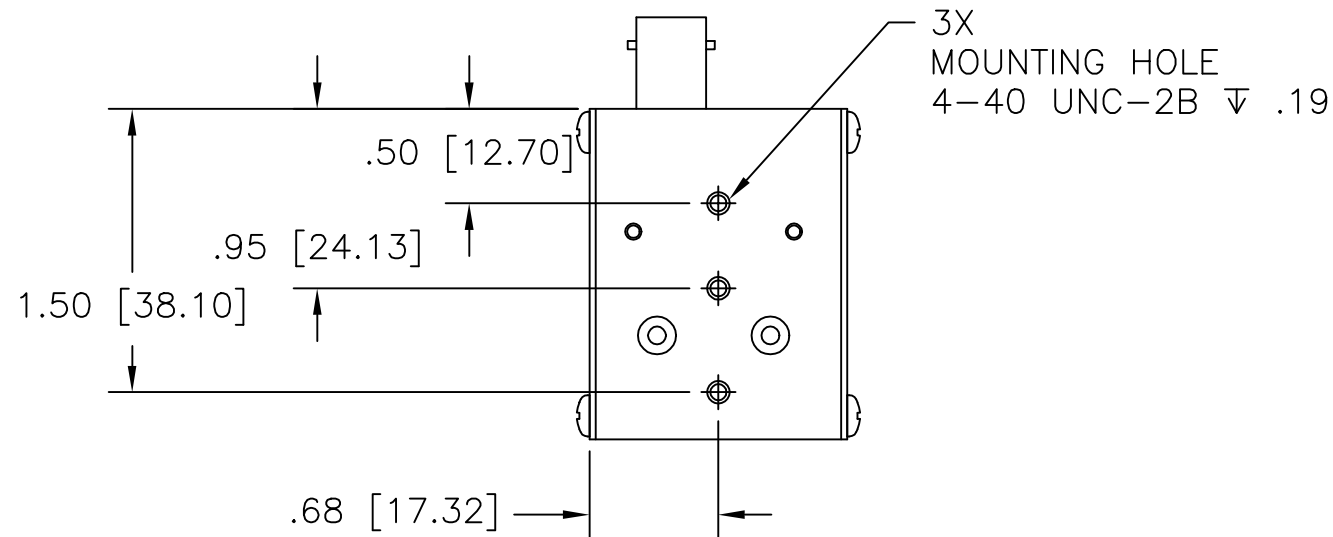



NOTES: UNLESS OTHERWISE SPECIFIED

REVISIONS				
ZONE	REV.	DESCRIPTION	CHNG / DATE	APVD / DATE
	C	CHANGE PER ECO 58A15050	CR 2/05/03	PS 2/07/03



	DIM A	MODEL #
TO1	.65 [16.51]	N23080-1-LTD N23080-2-LTD
TO2	.71 [18.03]	N23080-3-LTD



		MATERIAL	UNLESS OTHERWISE SPECIFIED DIMENSIONS ARE IN INCHES DIMENSIONS AND VALUES IN BRACKETS ARE METRIC TOLERANCES ARE: DECIMALS: INCHES: MILLIMETERS: .XX ±.01 [±.25] .XXX ±.005 [±.127] ANGLES: ±.5° SURFACE ROUGHNESS: 63/ REMOVE ALL BURRS AND SHARP EDGES DIM. AND SURFACE ROUGHNESS APPLY AFTER COATING	APPROVALS	DATE	 4300-C FORTUNE PLACE MELBOURNE, FL 32904 (321) 676-9020 FAX: (321) 722-4499 A Gooch and Housego Company		
		FINISH		DRAWN BY: B. BURKETT	8/12/93		TITLE OUTLINE DRAWING, 23080-X-LTD	
NEXT ASSY	USED ON			CHECKED BY:		SIZE B	DWG NO. 53B0624	REV. C
APPLICATION		DO NOT SCALE DRAWING		ENGINEERING: WS	11/8/96	SCALE NONE	FILE 5BB0624C	SHEET 1 OF 1
				APPROVED: PS	11/8/96			