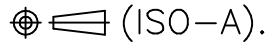
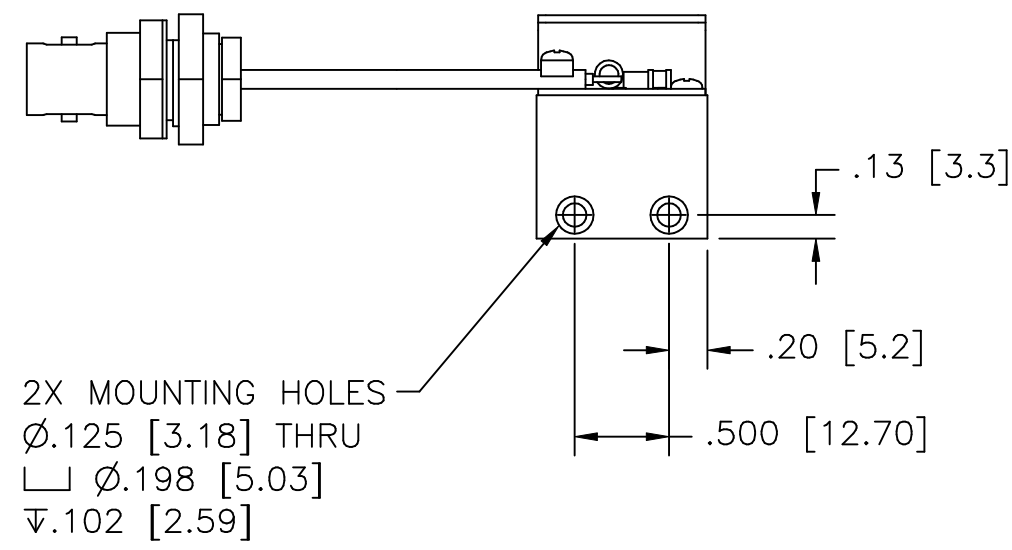
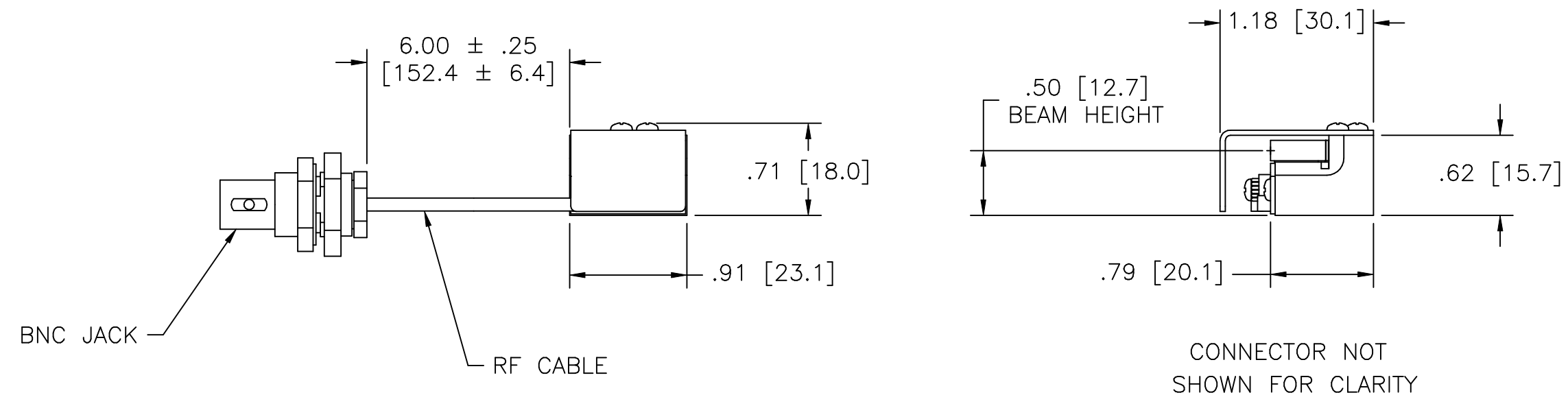


- NOTES: UNLESS OTHERWISE SPECIFIED
1. DRAWING PREPARED IN ACCORDANCE WITH MIL-STD-100.
 2. INTERPRET 3RD ANGLE PROJECTION.
 (ISO-A).
 3. DIMENSIONING AND SYMBOLS PER ASME Y14.5M-1994.

REVISIONS				
ZONE	REV.	DESCRIPTION	CHNG / DATE	APVD / DATE



GOOCH AND HOUSEGO PROPRIETARY

THIS DOCUMENT CONTAINS RESTRICTED INFORMATION THAT IS GOOCH AND HOUSEGO PROPERTY. IT IS NOT TO BE COMMUNICATED TO OTHERS WITHOUT THE EXPRESSED WRITTEN CONSENT OF GOOCH AND HOUSEGO.


DIMENSIONING AS FOLLOWS:
 INCHES [MILLIMETERS]
 UNLESS OTHERWISE SPECIFIED TOLERANCES ARE:

INCHES
 .XX ±.02
 .XXX ±.005

MILLIMETERS
 .X [±.5]
 .XX [±.13]

ANGLES: ±

APPROVALS	DATE
DRAWN BY: R SAUNDERS	6/10/10
CHECKED BY:	
ENGINEERING: WS / HH	6/10/10
APPROVED: PS	6/10/10

		4005 OPPORTUNITY DRIVE MELBOURNE, FL 32934 (321) 242-7818 FAX: (321) 242-1019	
		TITLE 34080-TB-BNC, SHIELD	
SIZE B	DWG NO. 53B4233	REV.	
SCALE NONE	FILE 53B4233	SHEET 1 OF 1	