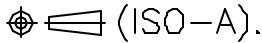
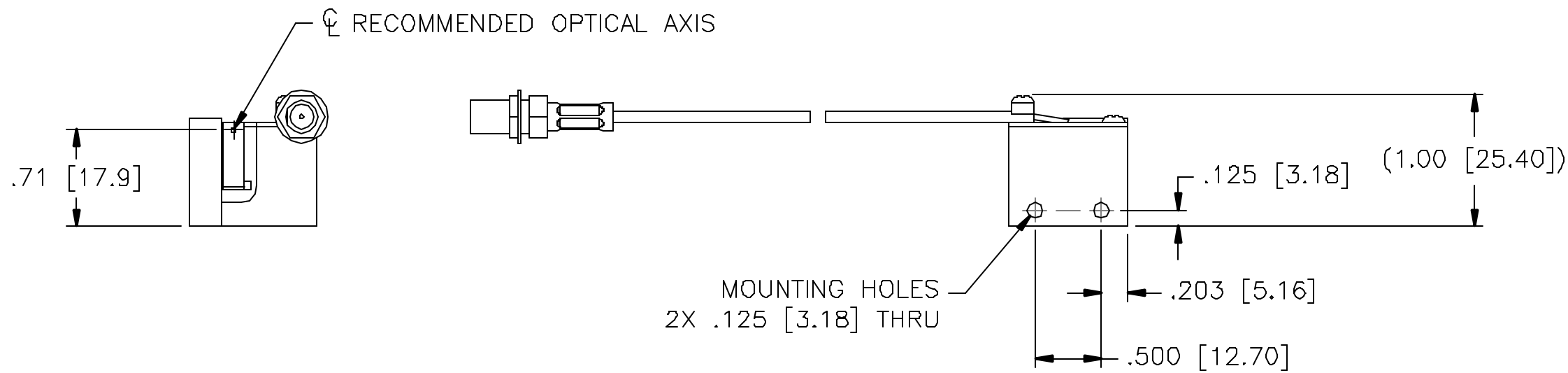
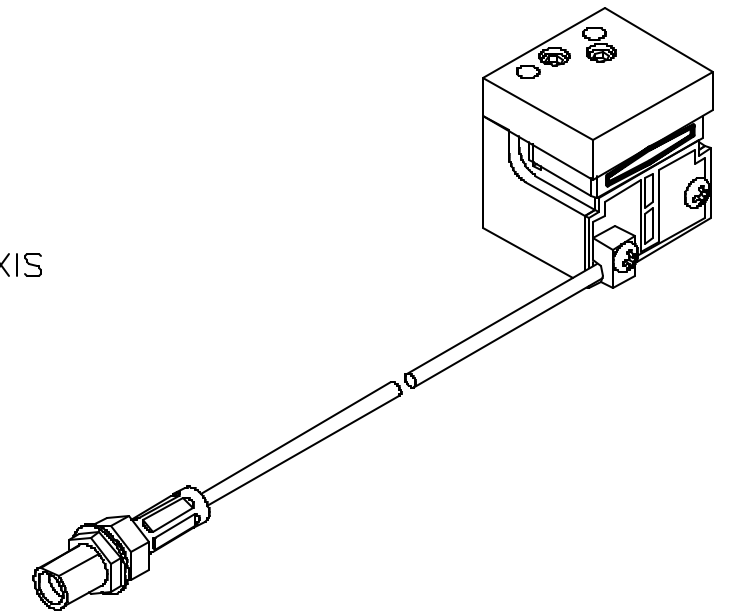
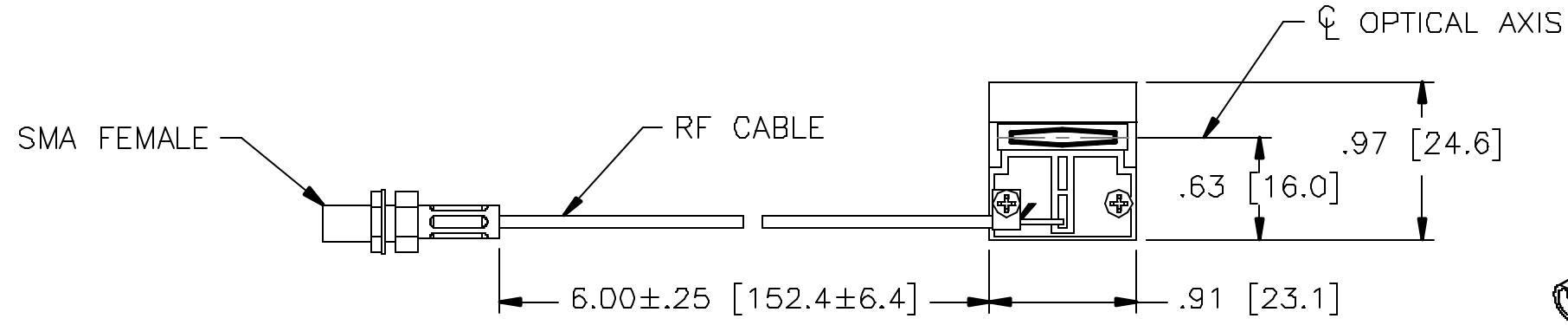


- NOTES: UNLESS OTHERWISE SPECIFIED
1. DRAWING PREPARED IN ACCORDANCE WITH MIL-STD-100.
 2. INTERPRET 3RD ANGLE PROJECTION.
 (ISO-A).
 3. DIMENSIONING AND SYMBOLS PER ASME Y14.5M-1994.

REVISIONS				
ZONE	REV.	DESCRIPTION	CHNG / DATE	APVD / DATE
	B	CHANGE PER ECO 58A20814	RS 3/4/10	HH 3/5/10 PS 3/5/10



<p>GOOCH AND HOUSEGO PROPRIETARY</p> <p>THIS DOCUMENT CONTAINS RESTRICTED INFORMATION THAT IS GOOCH AND HOUSEGO PROPERTY. IT IS NOT TO BE COMMUNICATED TO OTHERS WITHOUT THE EXPRESSED WRITTEN CONSENT OF GOOCH AND HOUSEGO.</p>	<p>DIMENSIONING AS FOLLOWS: INCHES [MILLIMETERS]</p> <p>UNLESS OTHERWISE SPECIFIED TOLERANCES ARE:</p> <p>INCHES .XX ± .02 .XXX ± .005</p> <p>MILLIMETERS .X [±.5] .XX [±.13]</p> <p>ANGLES: ±</p>	<p>APPROVALS</p> <p>DATE</p>	<p>Gooch & Housego</p> <p>4005 OPPORTUNITY DRIVE MELBOURNE, FL 32934 (321) 242-7818 FAX: (321) 242-1019</p>		
	<p>APPROVED:</p> <p>CMC</p>	<p>1/31/06</p>	<p>TITLE</p> <p>340XX-1.5-SF10-TB-SMF</p>		
	<p>ENGINEERING:</p> <p>HH</p>	<p>1/31/06</p>	<p>SIZE</p> <p>B</p>	<p>DWG NO.</p> <p>53B3534</p>	<p>REV.</p> <p>B</p>
	<p>CHECKED BY:</p> <p>F. COLLETT</p>	<p>1/30/06</p>	<p>SCALE</p> <p>NONE</p>	<p>FILE</p> <p>53B3534B</p>	<p>SHEET</p> <p>1 OF 1</p>