

SPECIFICATIONS

AO Medium		TeO ₂
Acoustic Velocity		4.2 mm/μs
Active Aperture*	2.5 mm 'L' X	1 mm 'H'
Center Frequency (Fc)		80 MHz
RF Bandwidth	20 MHz @	-10 dB Return Loss
Input Impedance		50 Ohms Nominal
VSWR @ Fc		1.3 :1 Max
Wavelength		780-850 nm
Insertion Loss		3 % Max
Reflectivity per Surface		0.25 % Max
Anti-Reflection Coating		MIL-C-48497
Optical Power Density		250 W/mm ²
Contrast Ratio		1000 :1 Min
Polarization		90 ° To Mounting Plane

PERFORMANCE VS WAVELENGTH

Wavelength (nm)	830
Saturation RF Power (W)	1
Bragg Angle (mr)	7.9
Beam Separation (mr)	15.8

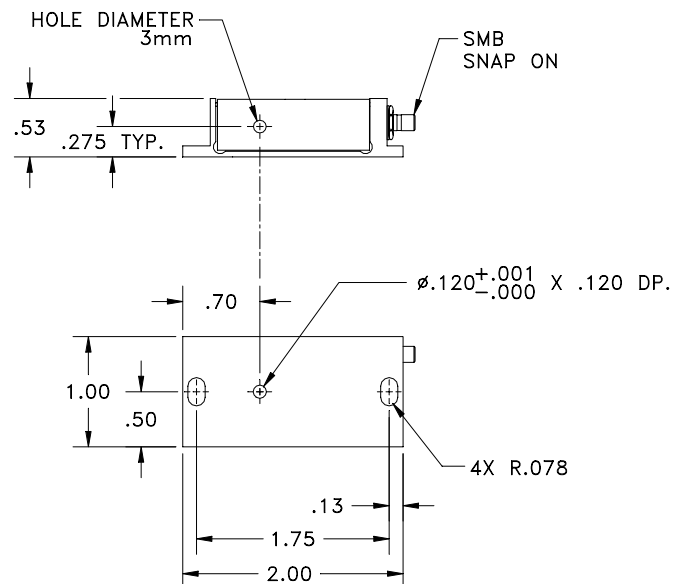
PERFORMANCE VS BEAM DIAMETER

Beam Diameter (μm)	200	250	500
<i>at Wavelength (nm)</i>	830	830	830
Diffraction Efficiency (%)	70	80	85
Rise Time (nsec)	34	41	80
Modulation Bandwidth	15.9	12.65	6.3
	15	10	1

For Reference
Only

Outline Drawing:

Package AOMO 3080-122



Notes:

THIS DOCUMENT IS THE PROPERTY OF CRYSTAL TECHNOLOGY, INC. IT IS NOT TO BE REPRODUCED OR DISCLOSED IN WHOLE OR IN PART OTHER THAN BY EMPLOYEES CRYSTAL TECHNOLOGY AND ITS CONTRACTED REPRESENTATIVES AND DISTRIBUTORS. ANY EXCEPTION REQUIRES THE WRITTEN CONSENT OF AN AUTHORIZED REPRESENTATIVE OF CRYSTAL TECHNOLOGY.

TOLERANCES: .XX ± .01 .XXX ± .005	DR	A. Campi 2/21/2003	Crystal Technology, Inc.	
MATERIAL:	CHK			DESCRIPTION: AOMO 3080-122
FINISH:	APP			
	APP		PART NUMBER: 97-01280-01	
			REV: D	
			SHEET 1 OF 1	

*Active Aperture: Aperture over which performance specifications apply.